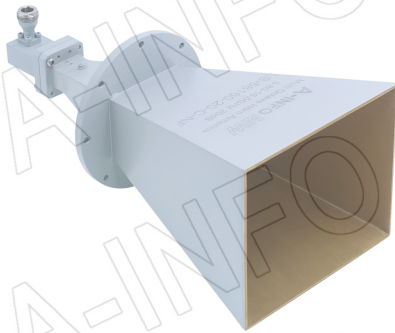


For reference only. See data sheet for the detailed specifications.

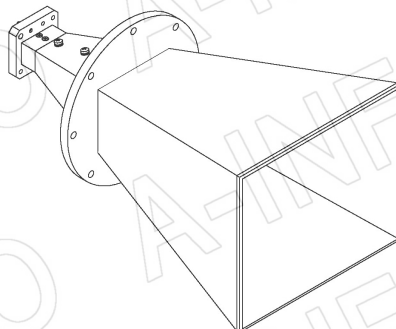
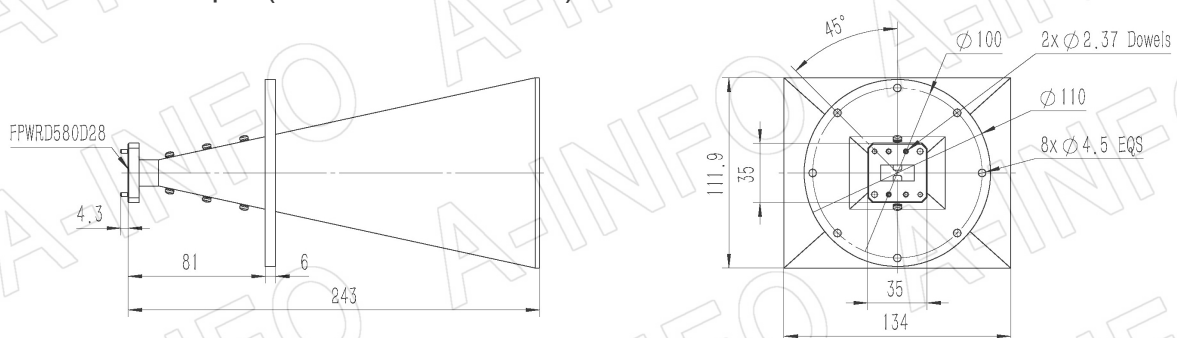
## Technical Specification



Frequency Range(GHz)	5.8 – 16.0
Gain(dBi)	20 Typ.
Polarization	Linear
3dB Beamwidth(deg)	E Plane: 24 - 10
	H Plane: 28 - 9
Cross Pol. Isolation(dB)	30 Typ.
VSWR	1.5:1 Typ.
Output	A Type: FPWRD580D28
	C Type: N-Female or SMA-Female
Power Handling(W CW)	N-F: 150 Max.
	SMA-F: 50 Max.
Material	Al
Finish	Passivation and Chemical Conversion Coating, Gray Paint
Size(mm)	A Type: 134 x 111.9 x 243
	C Type: 134 x 111.9 x 285.7
Net Weight(Kg)	A Type: 0.58 Around
	C Type: 0.74 Around

## Outline Drawing (Size: mm)

FPWRD580D28 Output (P/N: LB-58160-20-A)



**AINFO Inc.**

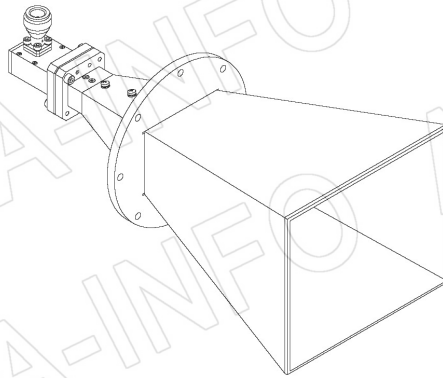
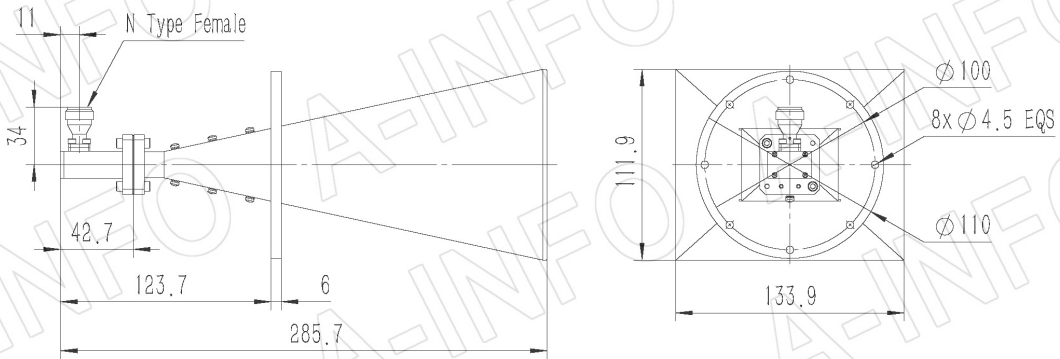
China(Beijing): Tel: (+86) 10-6266-7326,  
 China(Chengdu): Tel: (+86) 28-8519-2786,  
 USA: Tel: (+1) 949-639-9688,

(+86) 10-6266-7327 Fax: (+86) 10-6266-7379  
 (+86) 28-8519-3044 Fax: (+86) 28-8519-3068  
 (+1) 949-639-9608 Fax: (+1) 949-639-9670

Website: [www.ainfoinc.com](http://www.ainfoinc.com)  
 Email: [sales@ainfoinc.com](mailto:sales@ainfoinc.com)

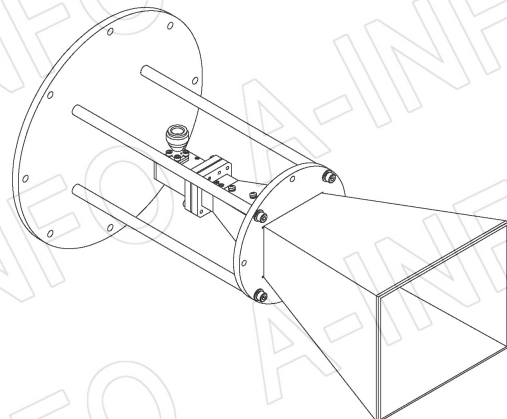
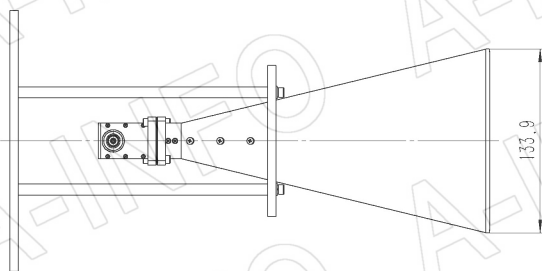
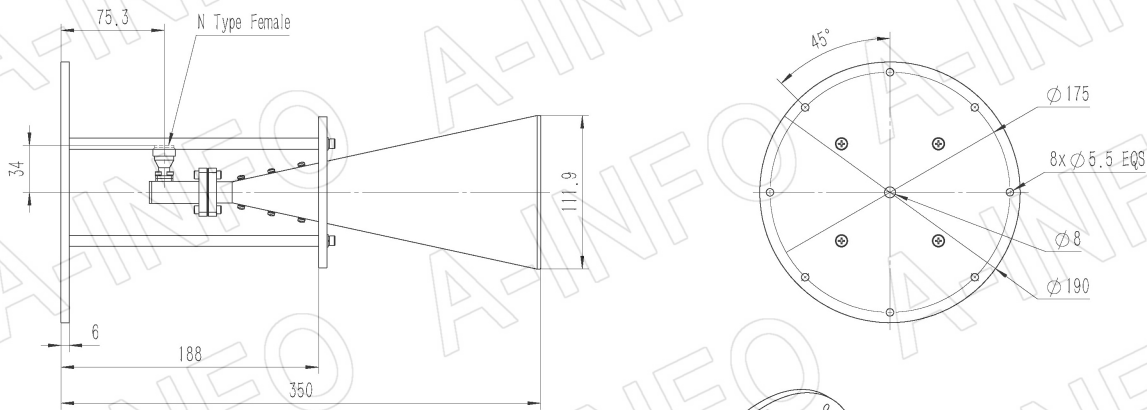
## N-Female Output (P/N: LB-58160-20-C-NF)

For SMA-Female output outline drawing, please contact A-INFO.



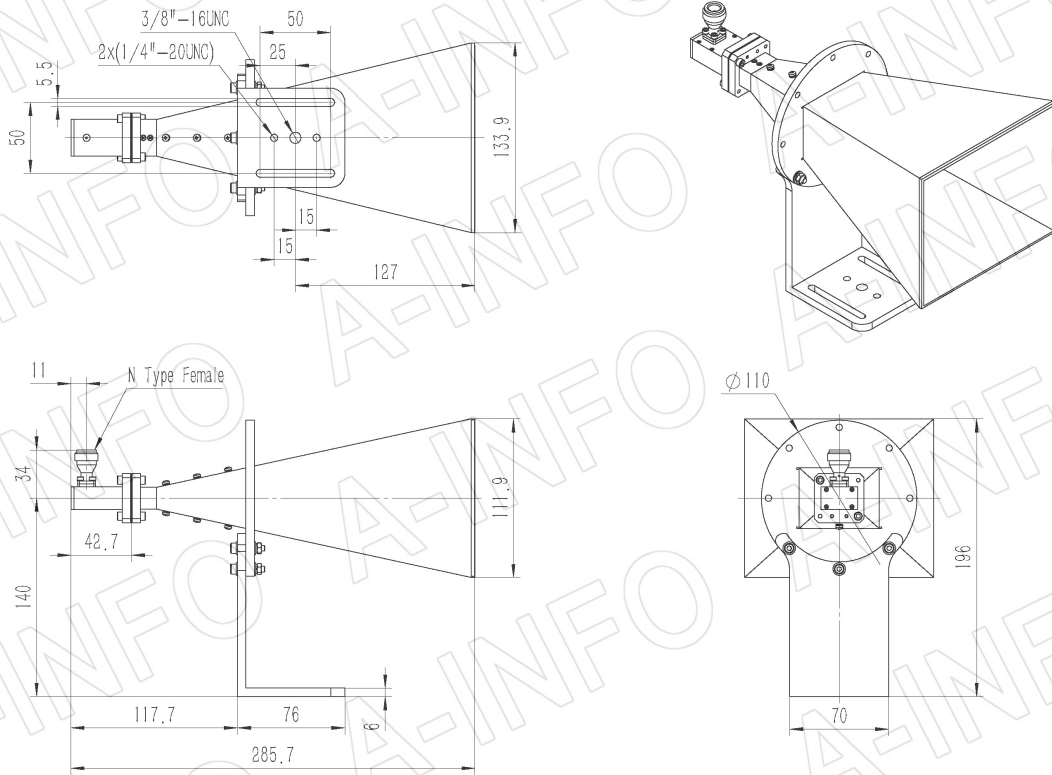
## N-Female Output with Round Mounting Bracket (Option, P/N: LB-51-25-MB2)

For SMA-Female output outline drawing, please contact A-INFO.

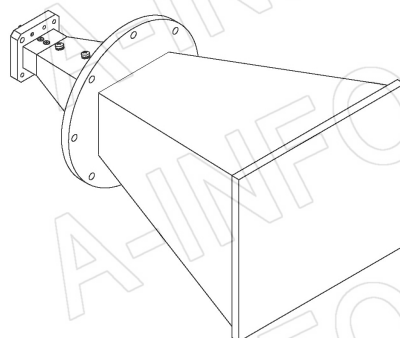
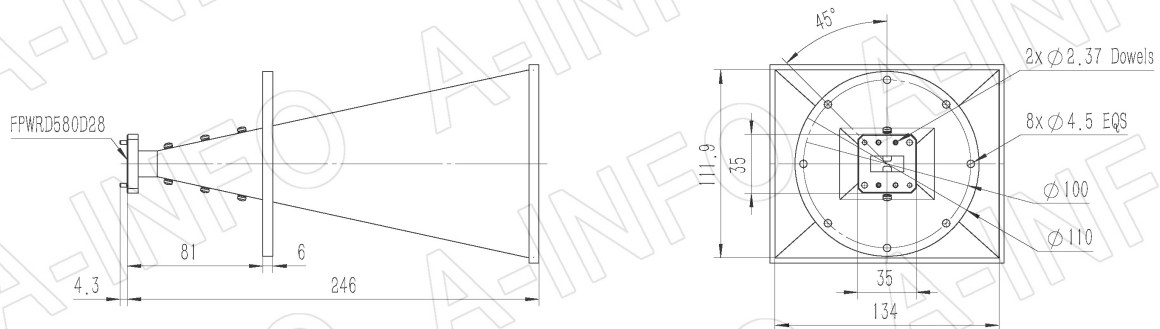


## N-Female Output with L Type Mounting Bracket (Option, P/N: LB-51-25-L2)

For SMA-Female output outline drawing, please contact A-INFO.

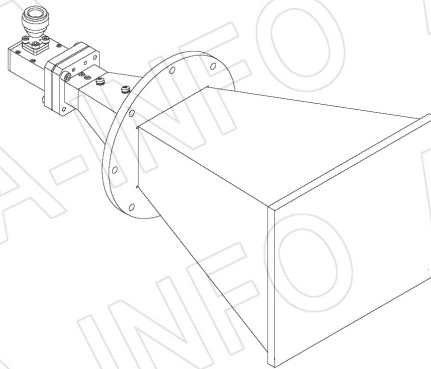
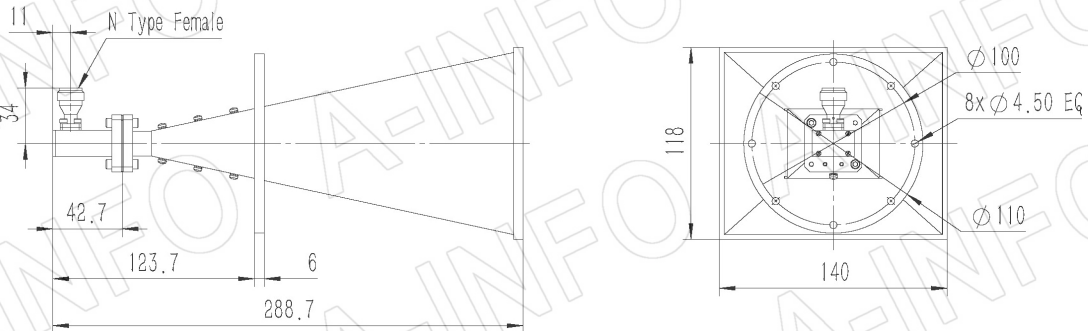


## FPWRD580D28 Output with Radome (Option, P/N: LB-58160-20-ASPO, Application Outdoor)



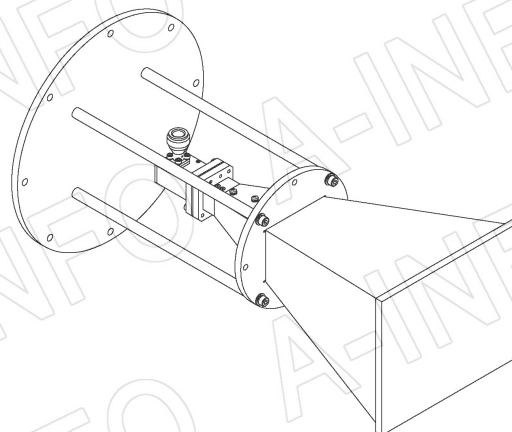
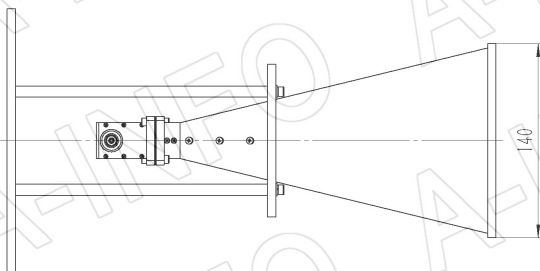
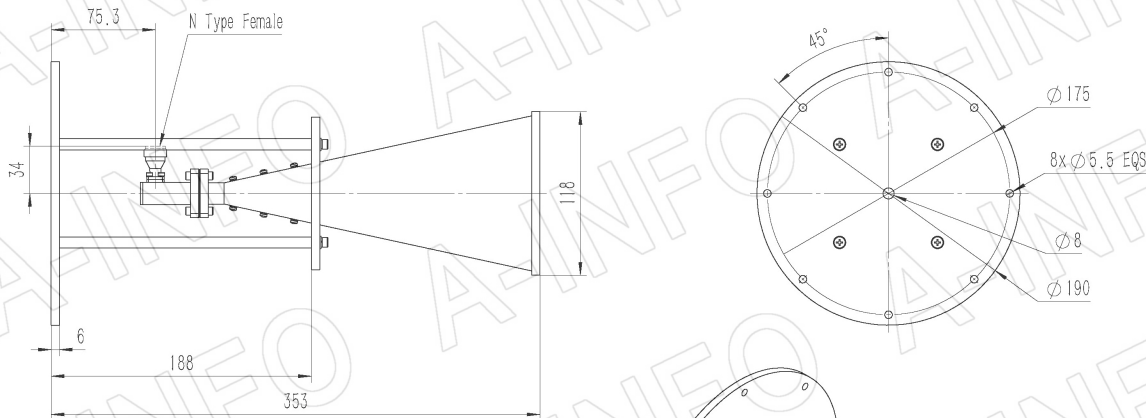
**N-Female Output with Radome (Option, P/N: LB-58160-20-C-NFSPO, Application Outdoor)**

For SMA-Female output outline drawing, please contact A-INFO.



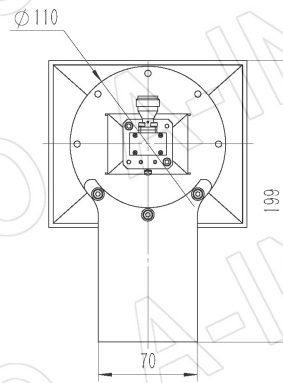
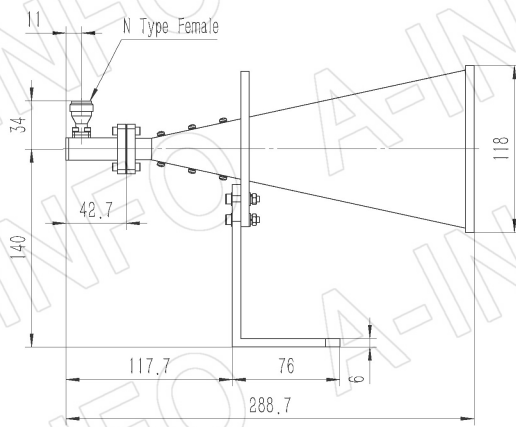
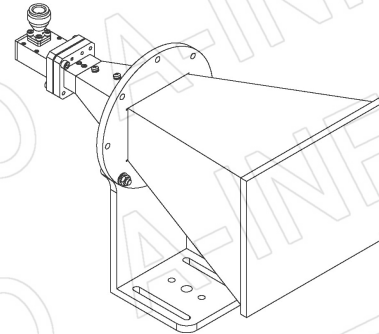
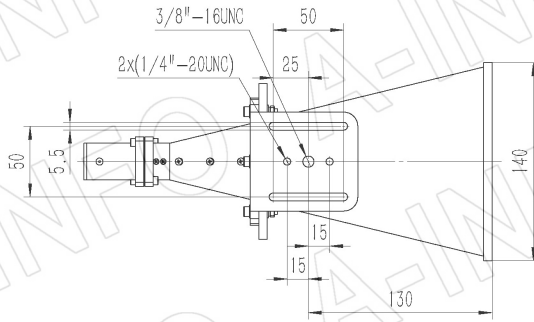
**N-Female Output with Round Mounting Bracket & Radome (Option, P/N: LB-51-25-MB2 & LB-58160-20-C-NFSPO, Application Outdoor)**

For SMA-Female output outline drawing, please contact A-INFO.



N-Female Output with L Type Mounting Bracket & Radome (Option, P/N: LB-51-25-L2 & LB-58160-20-C-NFSP0, Application Outdoor)

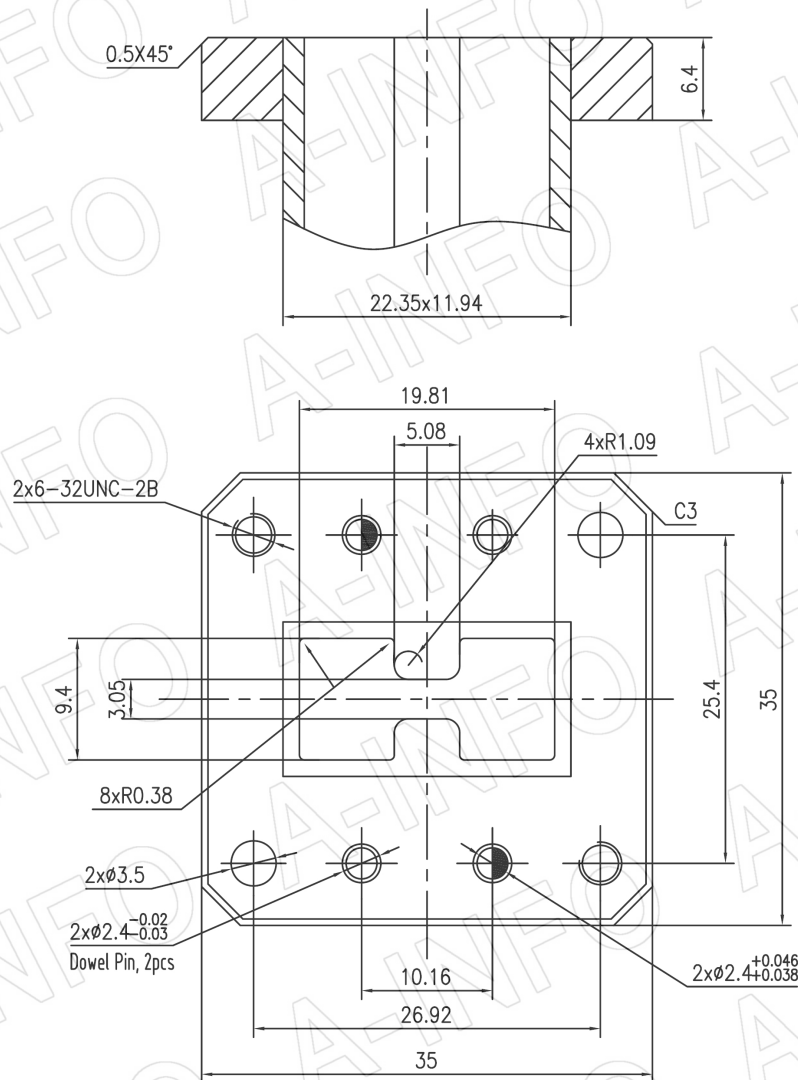
For SMA-Female output outline drawing, please contact A-INFO.



## Flange Drawing (Size: mm)

# FPWRD580D28

(With two through mounting holes  
and two screws holes)



## AINFO Inc.

China(Beijing): Tel: (+86) 10-6266-7326,  
China(Chengdu): Tel: (+86) 28-8519-2786,  
USA : Tel: (+1) 949-639-9688,

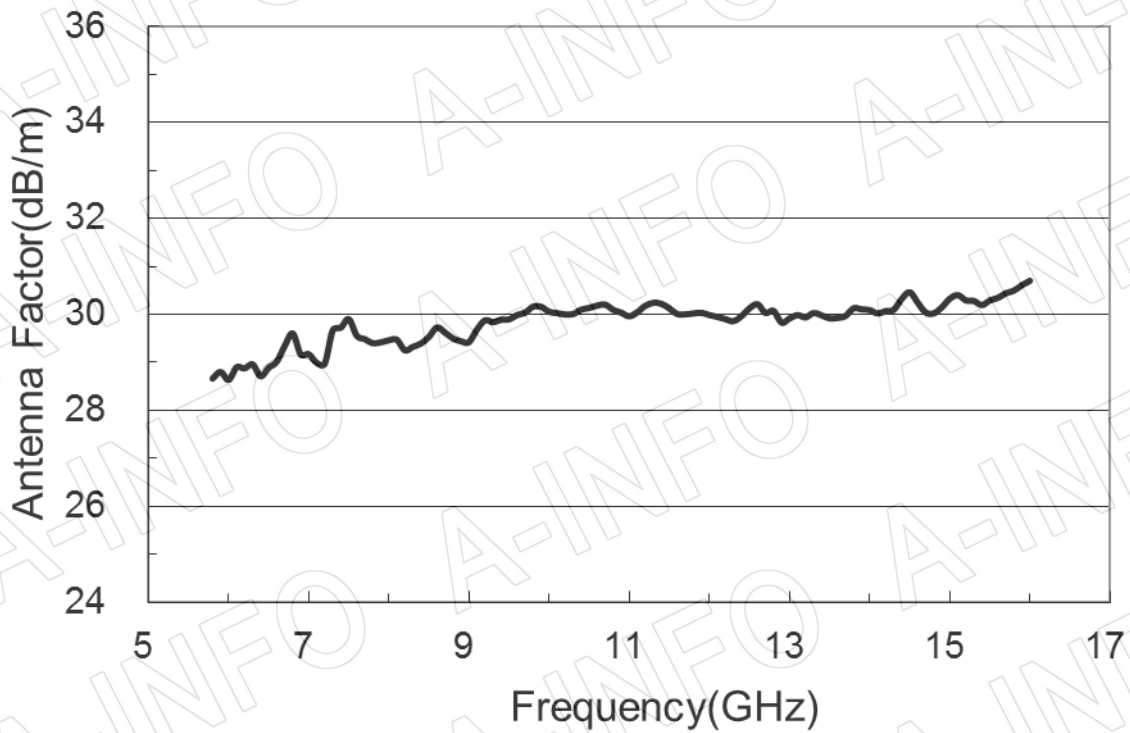
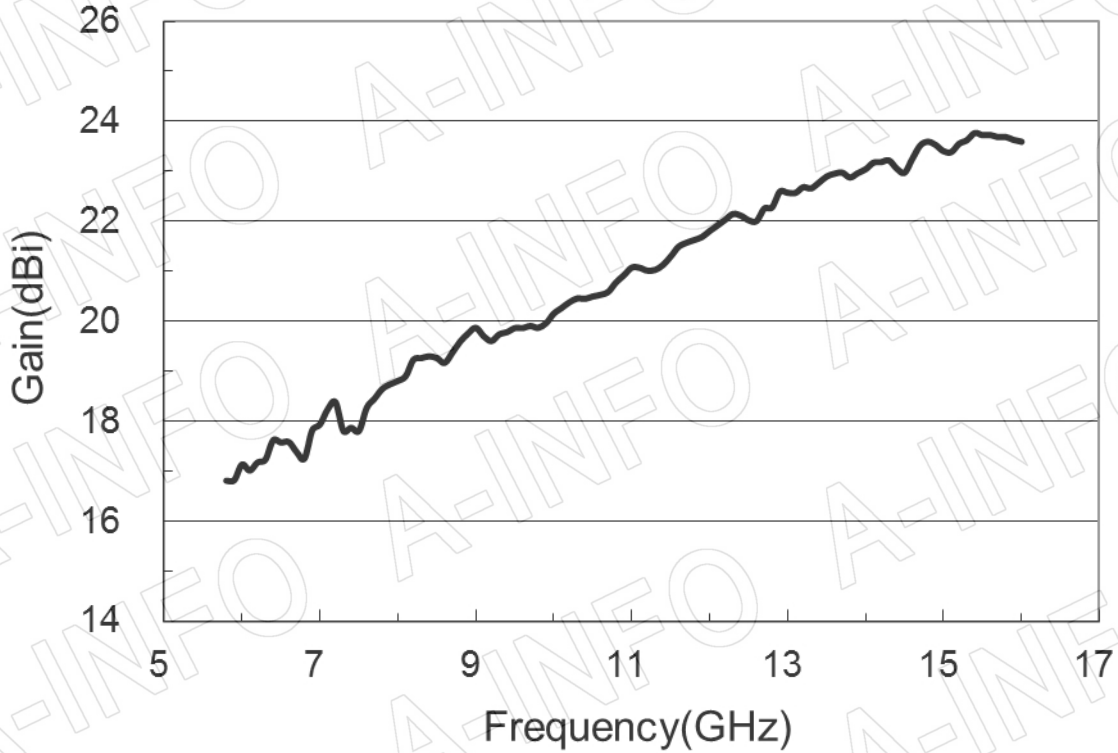
Page 6 of 12

(+86) 10-6266-7327 Fax: (+86) 10-6266-7379  
(+86) 28-8519-3044 Fax: (+86) 28-8519-3068  
(+1) 949-639-9608 Fax: (+1) 949-639-9670

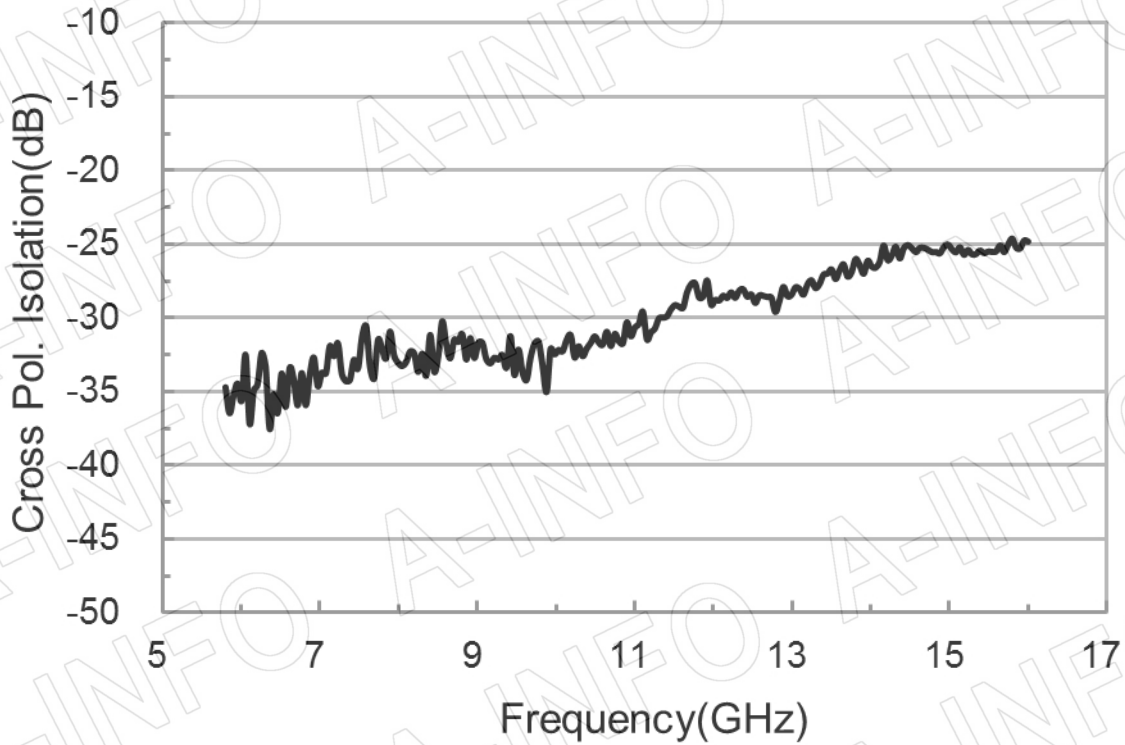
Website: [www.ainfoinc.com](http://www.ainfoinc.com)  
Email: [sales@ainfoinc.com](mailto:sales@ainfoinc.com)

## Test Results

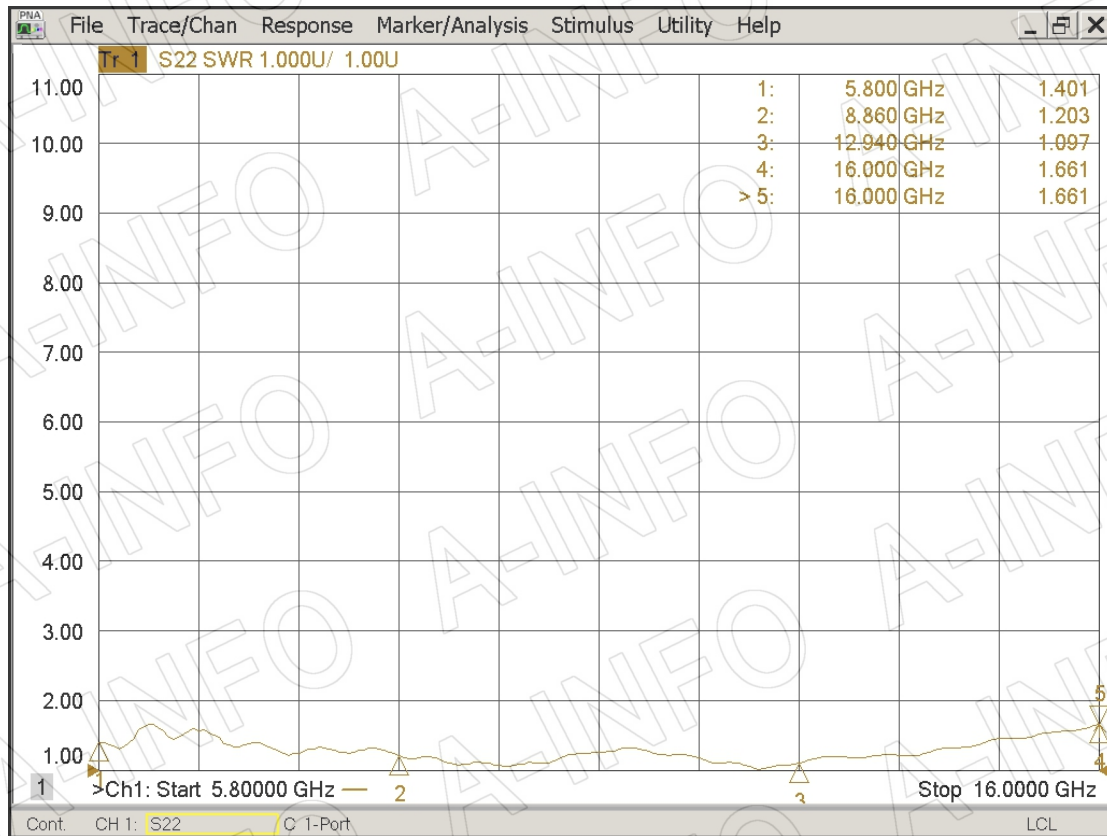
### 1. Gain & Antenna Factor



## 2. Cross Polarization Isolation



## 3. VSWR





## 4. Pattern

